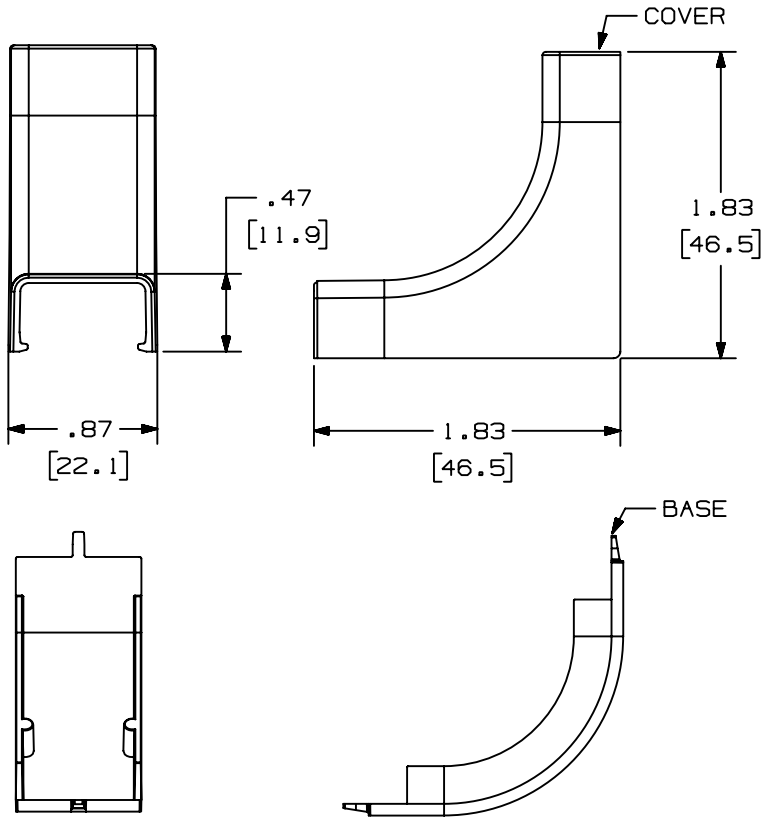


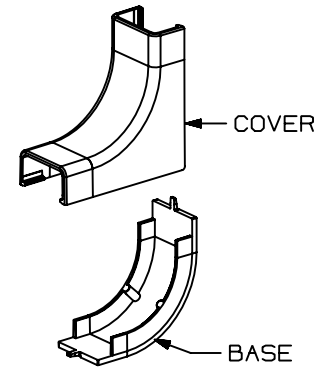
THIS COPY IS PROVIDED ON A RESTRICTED BASIS AND IS NOT TO BE USED IN ANY WAY DETRIMENTAL TO THE INTERESTS OF PANDUIT CORP.

PANDUIT PART NO.	WEIGHT
ICFX3	2.1 LB/100 PCS (935 g/100 PCS)



NOTES:

- SEE CURRENT CATALOG FOR ADDITIONAL PART NUMBER SUFFIXES TO INDICATE COLOR AND OR PACKAGE QUANTITY.
- THIS PRODUCT IS INTENDED TO BE USED WITH PANDUIT TYPE LD3, LDP3, AND LDS3 RACEWAY.
- NOMINAL WALL THICKNESSES:
BASE = .070(1.8)
COVER = .055(1.4)
- THIS PRODUCT IS FEATURED WITH THE TIA/EIA COMPLIANT BEND RADIUS.
- DIMENSIONS IN PARENTHESIS ARE IN METRIC.



CAD FILENAME/LAYERS D35541CK_LD_ICFX3_02.PRT

PANDUIT CORP. TINLEY PARK, ILLINOIS

INSIDE CORNER FITTING BASE AND COVER (ICFX3)
CUSTOMER DRAWING

UNLESS OTHERWISE SPECIFIED,
DIMENSIONAL TOLERANCES ARE:
(.X) ± (.XXX) ±.015 (.4)
(.XX) ±.03 (.8) ANGLES ±

UNLESS OTHERWISE SPECIFIED,
ALL DIMENSIONS ARE GIVEN
IN INCHES, THIRD ANGLE PROJECTION.

REV	DATE	BY	CHK	DESCRIPTION	ECN	CHK	CUST	SUP
2	03-10-04	JHEP	RGRO	C. REMOVED CD3 FROM NOTE 2	35541-37	RGRO	RGRO	
1	07-06-99	DW	HIW	B. CORRECTED PART GEOMETRY. A. REVISED PICTURE TO SHOW 2D VIEWS.	35541-37	HIW	HIW	
R	09-23-96	JBA	CEF	RELEASED TO PRODUCTION	35541-37	CEF	CEF	

DRAWN BY
JBA

MAT'L:

PVC

SCALE
NONE

DATE
09-23-96

DRAWING NO.

35541-37

DWG

A

SIZE

CHECKED BY
CEF